



Terminal Housing

RAK-H-M

For sensors

Use

For connecting sensor cables from protection pockets to extension cables.

Ordering and delivery

When ordering, please give name and type reference.

The terminal housing is supplied complete with cable entry gland and terminal strip.

<i>Product No.</i>	<i>Stock number</i>	<i>Description</i>
RAK-H-M	S55700-P131	Terminal Housing

Mechanical design

The RAK-H-M consists of housing RAK-TW, cable entry gland and triple-pole terminal strip. It is designed for use with protection pockets type ALT-S... and ALT-D...

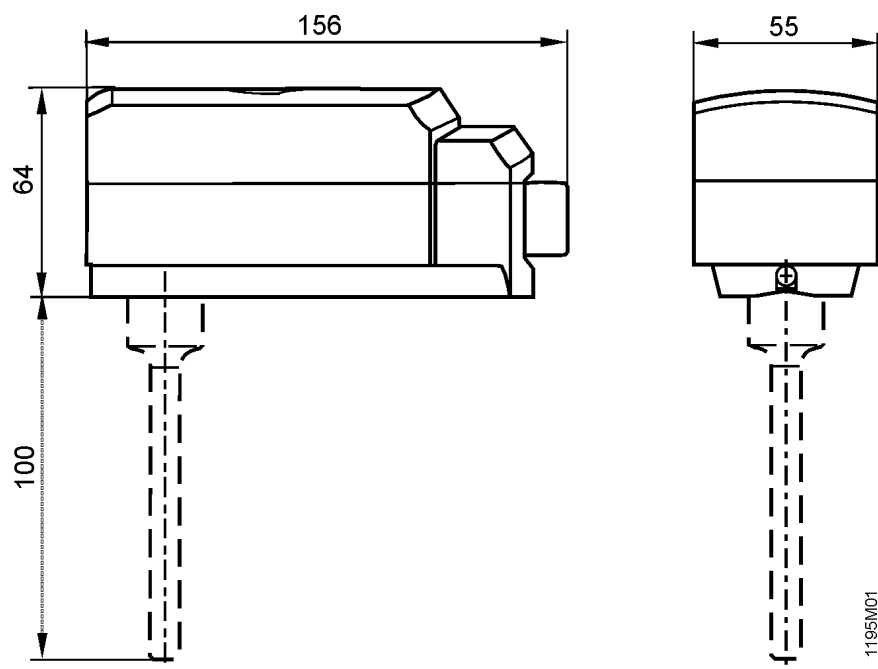
Mounting notes

The terminal housing is fitted to the protection pocket and secured with a screw.

Technical data

Housing	Degree of protection when fitted to the protection pocket	IP43 to EN 60 529
	Housing color	
	Base	RAL 7001 (dark-blue)
	Top	RAL 7035 (light-grey)
Electrical connections	Terminal strip (triple-pole)	
	Screw terminals for	0.5...2.5 mm ²
	Number of terminals	3
	Cable entry gland	M16 x 1.5 mm
Weight	Incl. packaging	0.158 kg

Dimensions (in mm)



1195M01