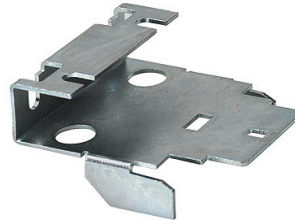


AQB21.1



AQB2000

Symaro™

Mounting brackets

AQB2000**AQB21.2**

Accessory for mounting QBM... series differential pressure sensors.

- For fast and easy mounting
- Suitable for various applications
- Adapter AQB21.2 for mounting pressure sensors on DIN top hat rails (snap-on mechanism)
- Mounting bracket AQB2000 for mounting the pressure sensor on insulated ducts

Use

The mounting bracket **AQB2000** is used to mounting QBM series differential pressure sensors on insulated air ducts. The sensors are snap-on and can be easily and quickly mounted without tools.

Top hat rail adapter AQB21.2 is used to mount QBM series differential pressure sensors on DIN top hat rails 35 x 7.5

The sensor can be snapped on to the adapter.

Type summary

<i>Type</i>	<i>Product designation</i>
AQB2000	Mounting bracket
AQB21.2	Top hat rail adapter for DIN top hat rails HT 35-7.5

Ordering and delivery

Please indicate number (for AQB21.2 the number of sets), type, and product designation.

Example:

1 set top hat rail adapter AQB21.2 for DIN top hat rails HAT 35-7.5

The top hat rail adapters are delivered in sets of 5 each.

The mounting brackets are delivered individually.

AQB21.2 and AQB2000 are each supplied with mounting instructions.

Equipment combinations

Mounting aids AQB...can be used with all QBM...differential pressure sensors. Specifically, types QBM2.../ QBM3.. as well as certified QBM4...

Using the adapter **AQB21.2**, you can mount these differential pressure sensors on DIN top hat rails, type HAT 35-7.5.

Mounting bracket **AQB2000** is used on insulated air ducts allowing differential pressure sensors to be mounted on insulated air ducts with an insulation strength of up to 40 mm.

Mounting notes

AQB2000 The device can be snapped on to the mounting bracket and unsnapped by pulling it.

The mounting bracket is supplied with mounting instructions M1590x.

AQB21.2 Adapter and differential pressure sensors can be mounting on DIN top hat rails without tools.

The adapter is supplied with mounting instructions (CE1M1910xx).

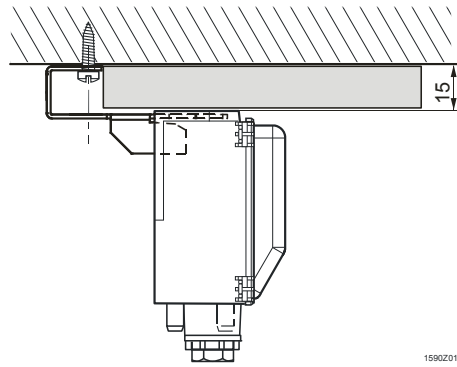
See Application examples below.

Technical data

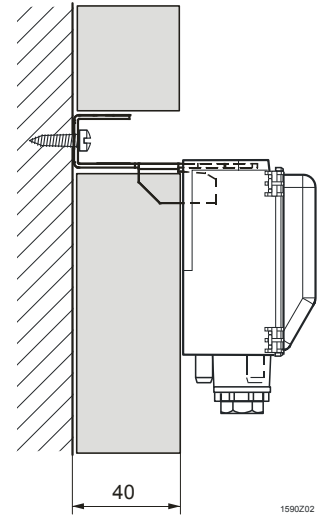
	AQB21.2	AQB2000
Material	Polyamide 66	Steel, zinc-plated
Weight, with packaging	12 g	64 g
Scope of delivery	5 pieces	1 piece

Application examples

AQB2000

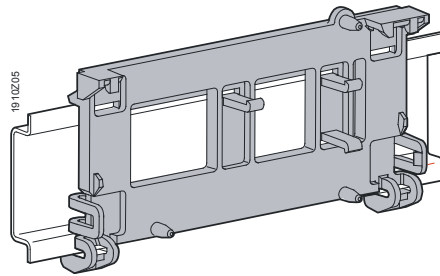


1590Z01



1590Z02

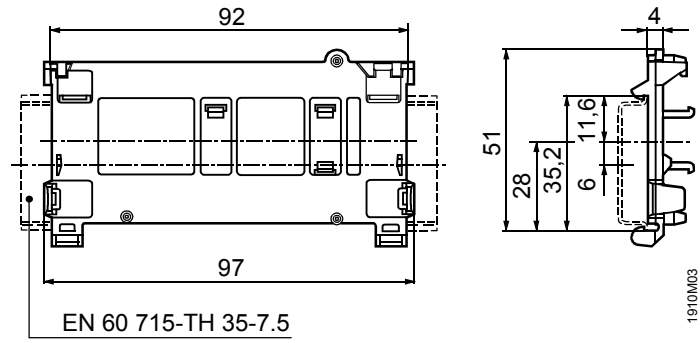
AQB21.2



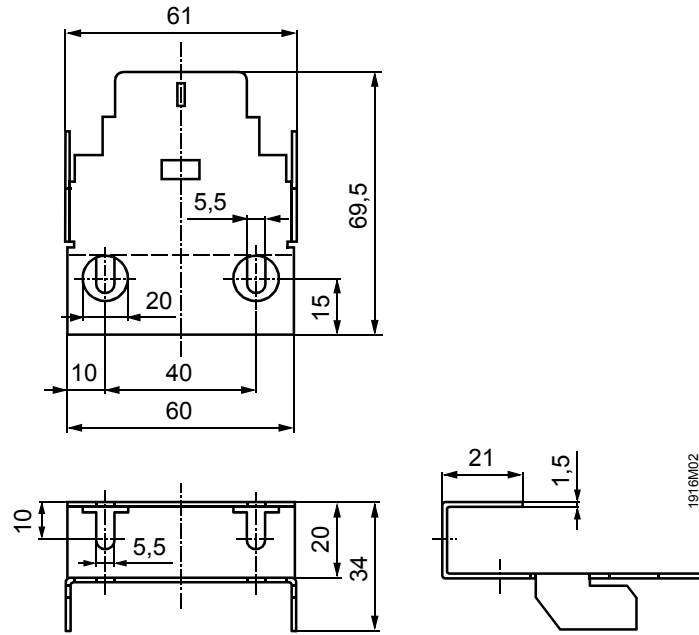
19.10205

Dimensions

Top hat rail adapter AQB21.2



Mounting bracket AQB2000



Dimensions in mm